

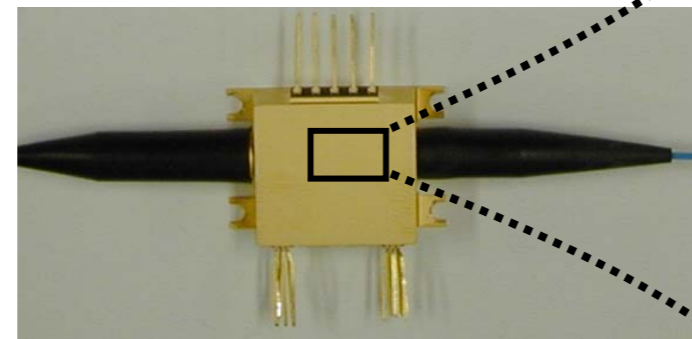
# Wide dynamic range wavelength converter

## (1) 40G LAN/WAN signal wavelength converter with wide dynamic range

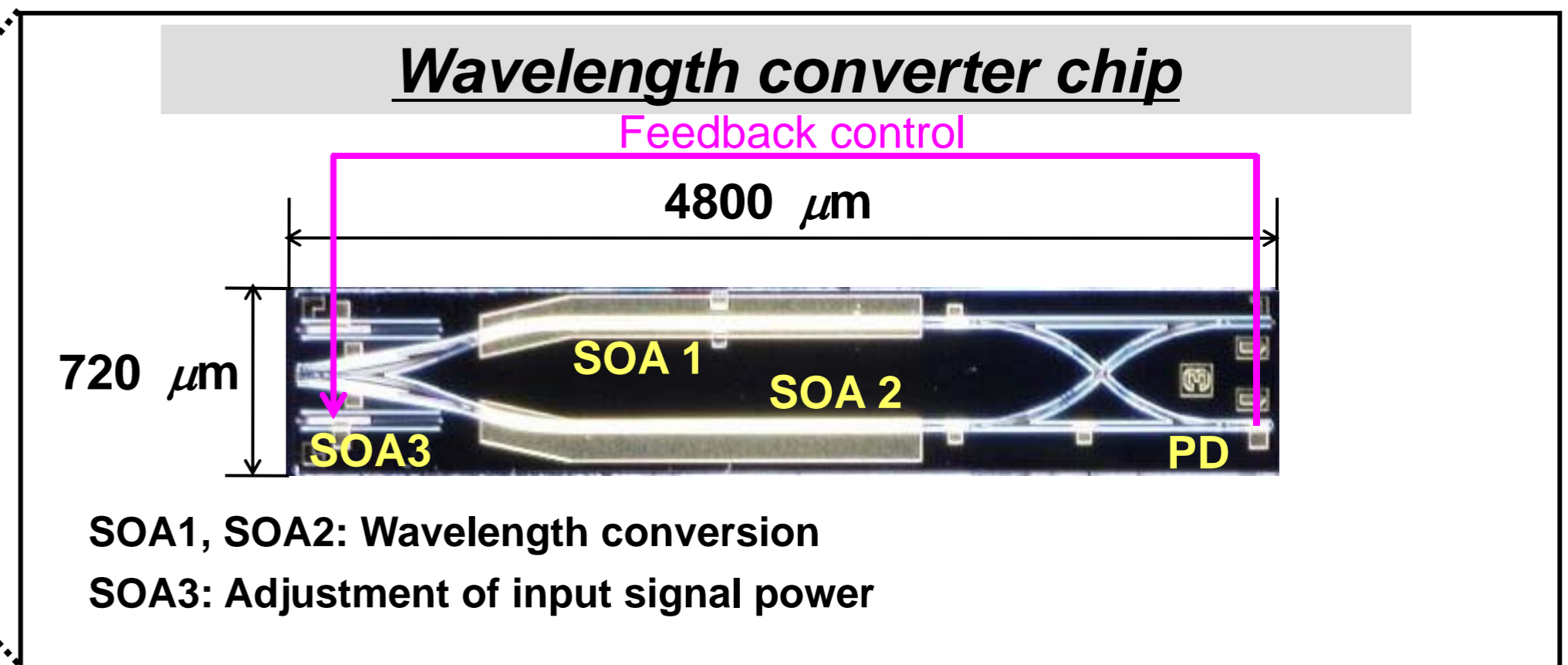
### Specifications (target)

Item	Specification
Bit rate	Up to 40 Gbps
Input power range	10 dB
Wavelength	C-Band

### Photograph of wavelength converter



Wavelength converter



## (2) 40G Performance of wavelength converter

### Measurement results

Item	Specification
Bit rate	Up to 43Gbps
Input power range	10 dB
Wavelength	1537 nm

### Wavelength converted eye diagram (43 Gbps)

Input signal power	+3 dBm	+ 9dBm
SOA3 current (mA)	9.3 mA	9.3 mA
Waveform without feedback control		
Input signal power	+3 dBm	+ 13 dBm
SOA3 current (mA)	13.5 mA	2.5 mA
Waveform with feedback control		

Wavelength of input signal : 1535 nm

### Dynamic range

