

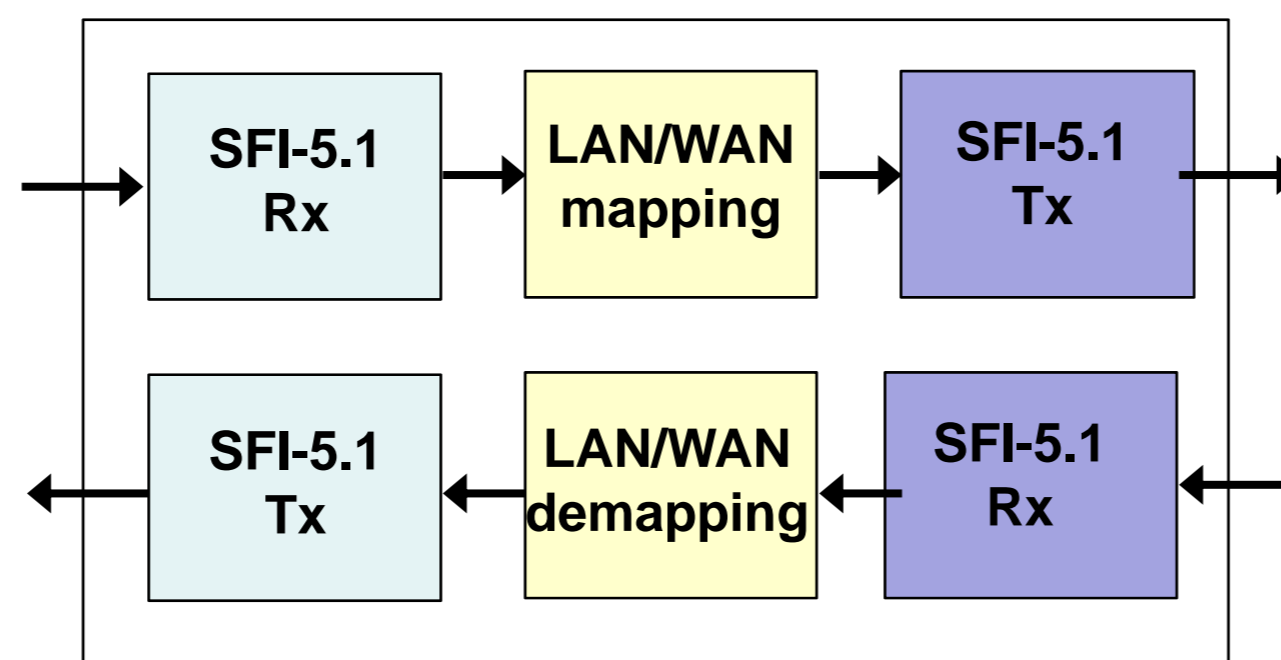
40G LAN-WAN and I/F conversion technologies

(1) 40G LAN/WAN signal conversion technology

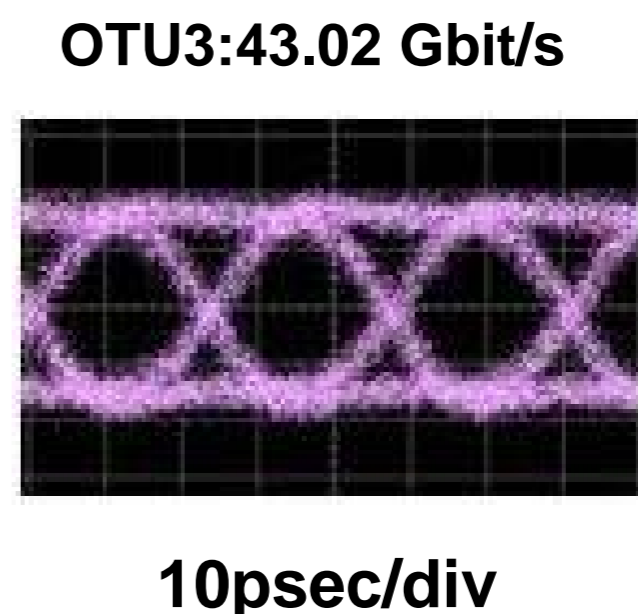
Specifications (target)

Item	Specification
LAN Interface	SFI-5.1:STM256/OC768 SFI-4:STM64/OC192,10GbE
WAN Interface	SFI-5.1:OTU3/OTU3e1
WAN bit rate	OTU3 43.02Gbit/s OTU3e1 44.57Gbit/s
Power	10W (Typ.)

Block diagram



Eye diagram



Photograph

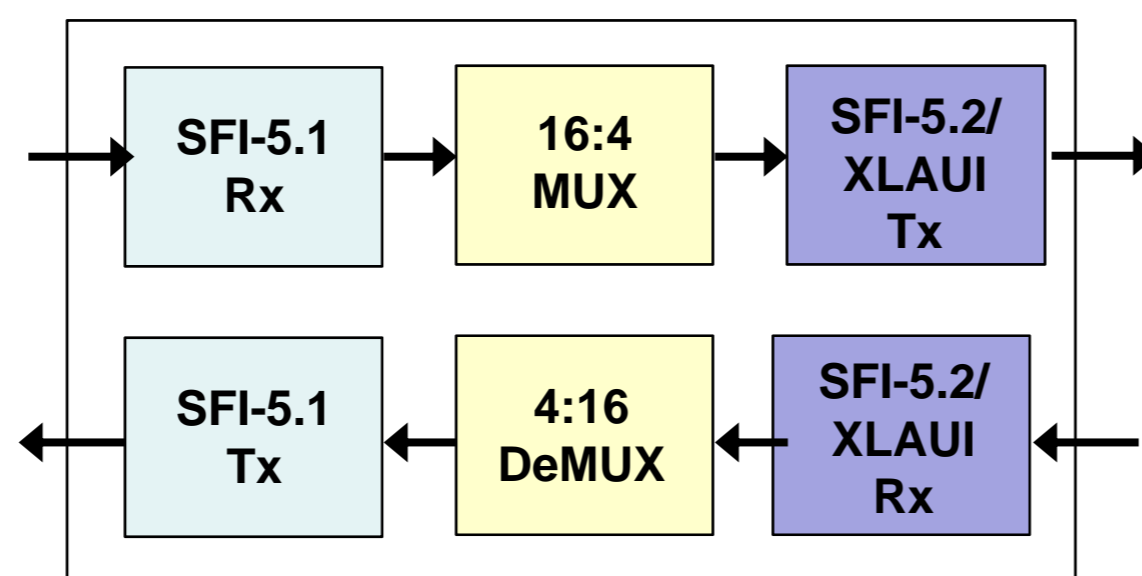


(2) 40GbE I/F conversion technology

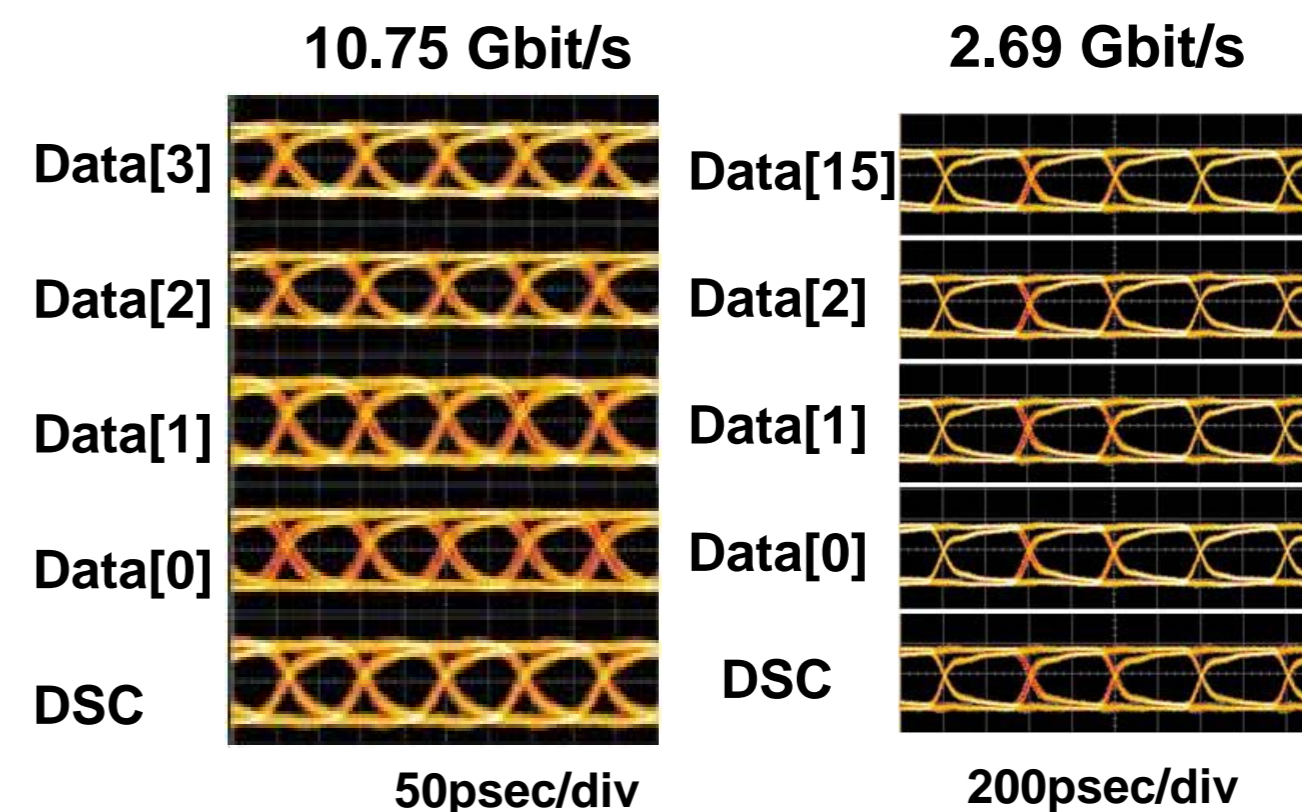
Specifications (target)

Item	Specification
Low speed Interface	SFI-5.1
High speed Interface	SFI-5.2, XLAUI
Operating bit rate	STM256: 39.8Gbit/s 40GbE: 41.25Gbit/s OTU3: 43.02Gbit/s
Power	4W (Typ.)

Block diagram



Eye diagram



Photograph

